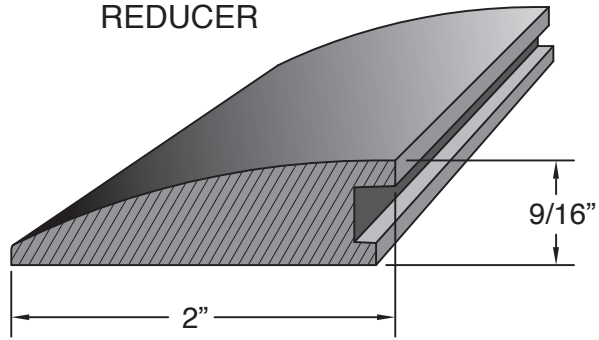
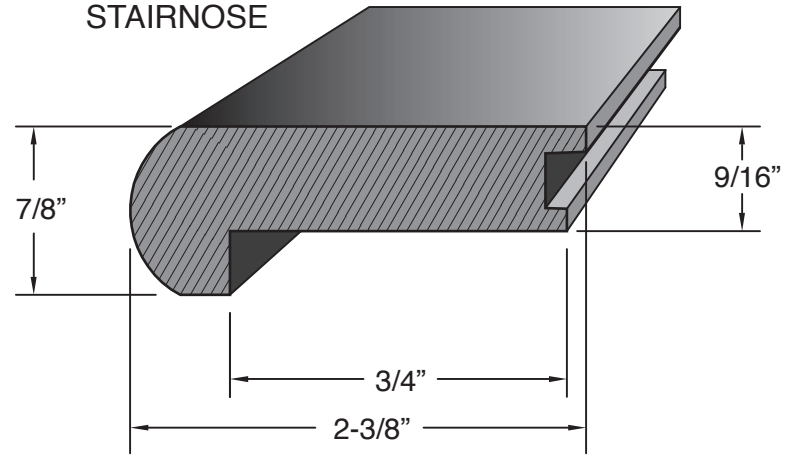


# MOLDING SCHEMATICS FOR 9/16" FLOORING

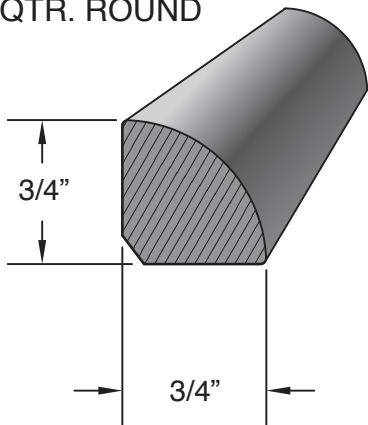
REDUCER



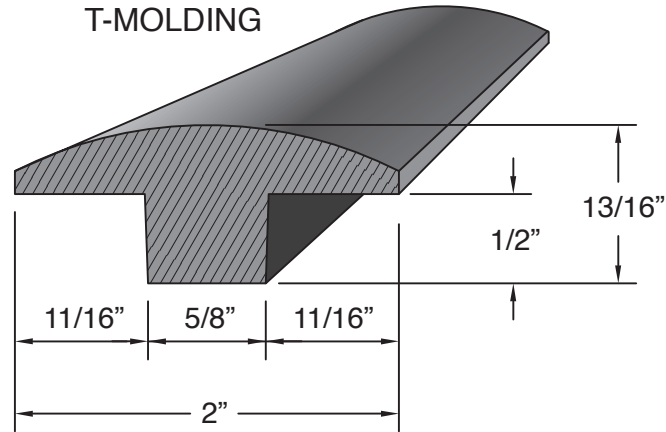
STAIRNOSE



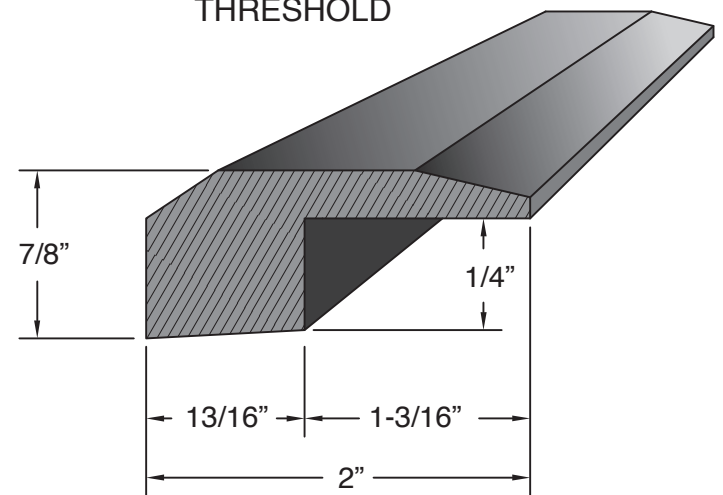
QTR. ROUND



T-MOLDING



THRESHOLD



# MOLDING SCHEMATICS FOR 5/8" FLOORING

